

**1.1. MODIFIED LITE (IMCA/UMP) OVERALL DIMENSIONS: (Figure #6)**

- a. 42" min 50" max from ground - total car height without driver.
- b. 124" maximum total length, bumper to bumper.

**1.2. SIDES AND REAR QUARTER PANEL (Figure #6)**

- a. 86" max - Door and rear quarter length.
- b. 30" min 38" max - side height of rear quarter panel from the ground. 30" max height of quarter panel.

**1.3. HOOD**

20" min 27" max - hood height excluding breather protectors (bottom of frame rail to top of hood). Ram air induction system prohibited. Rear of hood becomes part of windshield area rules. No part of nose section (in front of spindle centerline) may be wider than a maximum of 24". Hood may taper out to door panels at the rear.

**1.4. ROOF PANEL (Figure #6)**

- a. 40" min 48" max - length of roof panel. 36" min 42" max - width of roof.
- b. No part of roof panel may have more than 14° of angle rake. No deflector of any type on upper sides or rear of roof panel. Roof entrance hatch optional.

**1.5. REAR UPPER QUARTER PANEL (Figure #6)**

20" min 38" max rear upper side panel may contain Plexiglas. Side panels may be no higher than 5" at the rear of the straight line of quarter panel top edge. Side panel may be no higher than an imaginary line from the rear edge of roof panel to 3" above the top edge of the rear quarter panel.

**1.6. SIDE WINDOW**

18" min side opening length. 10" minimum side opening height front and rear.

**1.7. INTERIOR (Figure #6)**

- a. 46" min 50" max - width of rear shelf and body panels. 58" at bottom of doors and quarters.
- b. Rear shelf may have no more than a 5° max rake and may not be concave or convex in design. No lips or spoilers of any kind.

**1.8. ADDITIONAL INTERIOR SPECIFICATIONS (Figure #4)**

- a. 36" min 56" max - length of right side pod area with max 30°. Left side pod may be altered for driver access.
- b. Rear quarter distance from center of rear 20" min 30" max.
- c. Cockpit cover with a max of ½" lip will be permitted providing the on/off cutoff switch is reachable from outside the car by safety personnel.
- d. Deck lid height from ground 30" minimum, 36" maximum with NO rear lip extending upward.
- e. Side pod may not extend rearward past the centerline of rear axle.

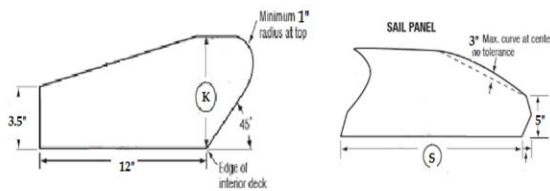
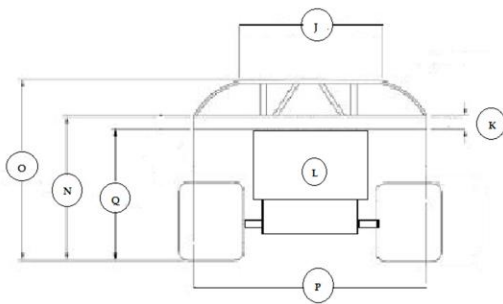
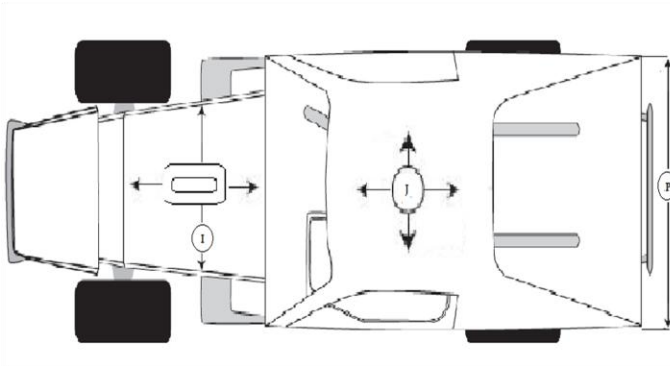
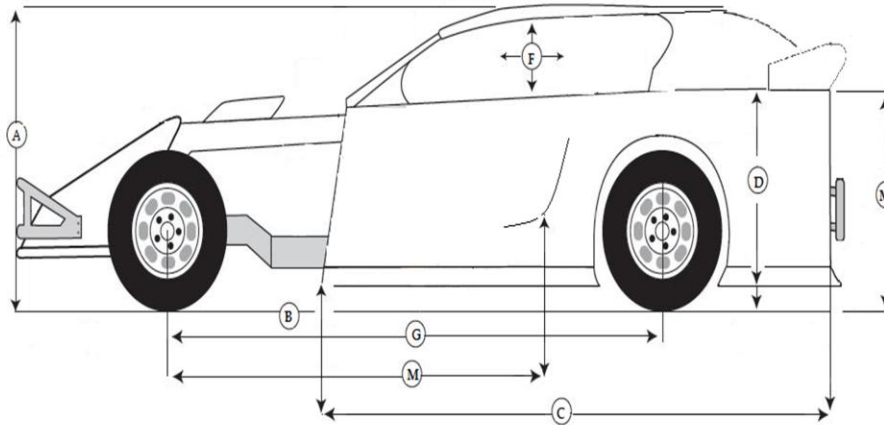
- f. Body must be centered on chassis.
- g. If windshield is used, it must be flat
- h. All body dimensions will be teched + or - 1/2" unless otherwise specified.

#### **1.9. REAR SPOILER (Optional) (Figure #6)**

1. A one piece, aluminum/lexan spoiler with a maximum height of 4"-inches from the rear deck will be permitted.
2. The rear spoiler must be non-adjustable from the cockpit and/or during racing conditions. Hinges, adjuster(s), slides and/or any other adjusting type device will not be permitted. May not extend the rear quarter panel.
3. Metal gurney and/or table and/or flanges and/or lips will not be permitted.
4. A brake and/or bend on the top of the aluminum/lexan spoiler will be permitted for reinforcement.
5. The maximum overall height of the spoiler when measured from the ground must not exceed 40"-inches.
6. No vertical supports for the purpose of fastening the spoiler to the rear deck will be permitted.

#### **1.10. REAR FRAME AREA**

The rear frame area from the rear shelf downward may have an optional enclosed panel. Louvers allowed and holes allowed.



- A. 42" min 50" max from ground - total car height without driver.
- B. 124" maximum total length, bumper to bumper.
- C. 86" max - Door and rear quarter length.
- D. 30" max height of quarter panel
- E. No deflector of any type on upper sides or rear of roof panel. Roof entrance hatch optional.
- F. 18" min side opening length. 10" minimum side opening height front and rear.
- G. 73" wheelbase plus or minus 1".
- H. NA
- I. No part of nose section (in front of spindle centerline) may be wider than a maximum of 24". Hood may taper out to door panels at the rear.
- J. 40" min 48" max - length of roof panel. 36" min 42" max - width of roof.
- K. 5" max
- L. The rear frame area from the rear shelf downward may have an optional enclosed panel. Louvers allowed and holes allowed.
- M. 30" min 38" max - side height of rear quarter panel from the ground.
- N. Max over height of the spoiler when measured from the ground must not exceed 40"
- O. 42" min 50" max from ground - total car height without driver.
- P. 46" min 50" max - width of rear shelf and body panels. 58" at bottom of doors and quarters.
- Q. 30" min 36" Max. No rear lip extending upward.
- R. NA
- S. 20" min 38" max rear upper side panel may contain Plexiglas

IMCA/UMP Body Figure #6